

FULL HD
1080p

ONVIFS

VISION
www.visionipvideo.com
www.visionhitech.co.kr

VISIONHITECH PRODUCT GUIDE 2014

• Network products • HD-SDI • High Quality Analogue

SMART IP Camera

True Plug & Plug IP Surveillance system with Smart IP
and Smart Focus Technology



WideLux 3 Analogue Camera

Enhanced WDR, 800TVL(960H)



SFHD2 Series Camera

Full HD with 60 frames , High performance WDR
without Deteriorating Full frame rate,
Super low light sensitivity





New Smart IP Series

- Smart Focus Technology
- IR Beam Synchronization
- Full line-up of IP Solution (3M,2M,1.3M, NVR)
- Plug & Play IP Camera and NVR
- 30frames Real WDR
- Open Platform IP Video
- Unique IP Camera solution for Mobile and High Quality applicaion

Smart  Focus



VD10M2

- 2 Megapixel IR Dome Camera



- Full HD(1080p)/30fps
- 4mm Megapixel board Lens
- WDR, 3DNR, Defog, ICR, 2way Audio
- IR 20M , Indoor
- POE/DC12V

NEW

VN10M2

- 2 Megapixel IR Bullet Camera



- Full HD(1080p)/30fps
- 6mm Megapixel board Lens
- WDR, 3DNR, Defog, ICR
- IR 20M, IP66
- POE/DC12V

NEW

VDA50SMTi

- 1.3 Megapixel Vandal Dome Camera



- HD(720p)/ 30fps
- Excellent Low light Sensitivity
- 3.0mm
- WDR
- Defog,2D+3DNR, Sens-up
- IP67

NEW

VDA100SM2Ti

- 2 Megapixel Vandal IR Dome camera



- Full HD(1080p)/30fps
- 3–10.5 mm Smart Focus
- WDR, 3DNR, Defog, ICR, 2way Audio
- IR 20M, IP66
- POE/DC12V

NEW

VA105SM3Ti-IRS

- 3 Megapixel 12x, 80M IR FullHD Camera



- 3MP (2048 x 1536), Full HD(1080p), HD(720p)
- 12x (5~60mm), Smart Focus
- Video compression : H.264, MJPEG
- Sync IR, 80M IR distance, SD Card slot
- IP66, 24VDC

VPD200PM2Ti

- 2 Megapixel 20x Camera



- 2 Megapixel
- 20x Auto Focus (f4.7~94mm)
- 32x Digital, Defog, WDR
- H.264 : 30fps/1080p, MJPEG : 30fps/VGA
- IP66, PoE, 12VDC/3A

VN7XSM3Ti

- 3 Megapixel 12x 30M IR Full HD Camera



- 3MP (2048 x 1536), Full HD(1080p), HD(720p)
- 12x (5~60mm), True DN(ICR), Smart Focus
- Video compression : H.264, MJPEG
- 30M IR distance, SD Card slot
- IP67, PoE/12VDC

VN6XSM2Ti

- 2 Megapixel IR Bullet camera



- Full HD(1080p)/30fps
- 3~10.5 mm Smart Focus
- WDR, 3DNR, Defog, ICR, 2way Audio
- IR 20M, IP66
- POE/DC12V

NEW

VN200SM2Ti

- 2 Megapixel IR Bullet camera



- Full HD(1080p)/30fps
- 4mm Megapixel board Lens
- WDR, 3DNR, Defog, ICR, Digital PTZ
- IR 20M, IP67
- POE/DC12V

NEW

VD102SM2Ti-IR

- 2 Megapixel IR Dome Camera



- Full HD(1080p)/30fps
- 4mm Megapixel board Lens
- WDR, 3DNR, Defog, ICR, Digital PTZ
- IR 20M, Indoor
- POE/DC12V

NEW

VC59SM2Ti

- 2 Megapixel BOX Camera



- Full HD(1080p)/30fps
- WDR, 3DNR, Defog, D&N, Digital PTZ
- Indoor, Two way Audio
- POE/DC12V

NEW

NVS202

- 960H 1ch Video Server



- 1ch(Encoder)
- Up to 25/30fps@960H
- Two way Audio, RS-485
- Micro SD Slot
- POE/DC12V

NEW

xNVR4/xNVR8/xNVR16

- Plug & Play NVR



- 4/8/16ch Plug & Play
- Support upto 8ch (30fps/1080p)
- Local Monitoring (HDMI, VGA, Composite)
- H.264, 4x SATA HDD

xNVR4P/ xNVR8P / xNVR16P

- Plug & Play PoE NVR



- 4/8/16ch Plug & Play w/PoE Switching
- Support upto 8ch (30fps/1080p), 16ch (15fps/1080p)
- Local Monitoring (HDMI, VGA, Composite)
- H.264, 4x SATA HDD

Vision C/S Software

- Network Professional C/S Software



- Server
Upto 16/32/64/128 Ch Recording
- Client
Upto 16/32/64 Ch Realtime Display
Upto 16 Ch Search/ Playback
• Event monitoring/ E-map

New WideLux3 Series

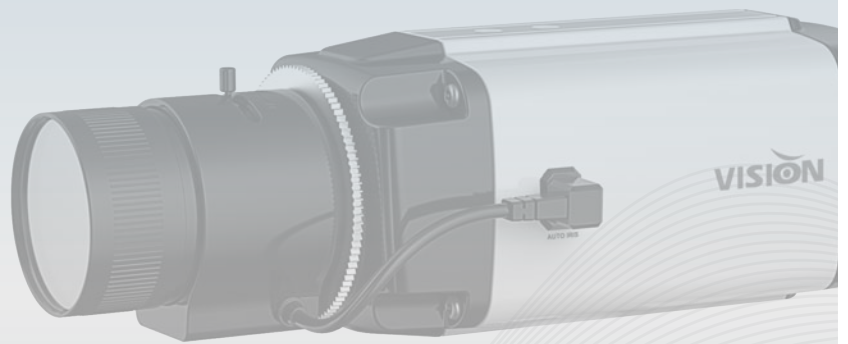
- Super WDR
- 800 TVL
- Auto scene (Indoor / Outdoor / ITS /WDR)
- Coaxial Remote control (Pelco-C)
- Defog, Smart IR, DIS

New WideLux2 Series

- Super Low light performance
- 700 TVL
- 2 DNR / Smart 3D DNR
- Coax Communication
- Sens-up (off/x2- x1024)
- Defog, DIS , PIP Digital Zoom(x1-x32)

New Entry PN Series

- High Resolution of 960H(700 TVL)
- The most cost effective Analogue solution with High quality CCD
- Full range of Entry Analogue CCD Camera (indoor/outdoor/fixed/Vari-focal/IR)



VN7XS3

- Widelux3 Night vision Super-Res Camera



- Hi-Res : 800 TVL
- 2.8~12mm, 5~50mm , ICR
- Super-WDR, Smart 3DNR, Defog, IP67,RS-485
- IR 50M, Auto Scene, Coaxitron, DIS,DSS
- 12VDC, 12VDC/24AC

NEW

VN6XS3

- Widelux3 Night vision Super-Res Camera



- Hi-Res : 800 TVL
- 2.8~12mm, ICR
- Super-WDR, Smart 3DNR, Defog, IP67,RS-485
- IR 30M, Auto Scene, Coaxitron, DIS,DSS
- 12VDC, 12VDC/24AC

NEW

VDA100S3-IR

- Widelux3 Super-Res IR Vandal Dome Camera



- Hi-Res : 800 TVL
- 2.8~12mm, ICR
- Super-WDR, Smart 3DNR, Defog, IP67,RS-485
- IR 30M, Auto Scene, Coaxitron, DIS,DSS
- 12VDC, 12VDC/24AC

NEW

VC59S3

- Widelux3 Super-Res Box Camera



- Hi-Res : 800 TVL
- DC Iris
- Super-WDR, Smart 3DNR, Defog,RS-485
- Auto Scene, Coaxitron, DIS,DSS, Extra video out
- 12VDC, 12VDC/24AC

NEW

VD101S3-V12IR

• Widelux3 Super-Res IR Indoor Dome Camera



NEW

- Hi-Res : 800TVL
- 2.8~12mm, ICR, Indoor
- Super-WDR, Smart 3DNR, Defog, RS-485
- IR 20M, Auto Scene, Coaxitron, DIS,DSS
- 12VDC, 12VDC/24AC

VN7XS2

• WideluxII Night Vision Super-Res Camera



- Hi-Res : 700TVL
- 2.8~12mm/ 5~50mm, ICR
- D-WDR, RS-485, DSS(256x)
- 2D/Smart 3D DNR, Coaxitron, IP67 Weatherproof
- 12VDC, 12VDC/24VAC

VN210S2

• WideluxII Night Vision Camera



- Hi-Res : 700TVL
- 2.8~12mm, True DN(ICR)
- D-WDR, RS-485, DSS(256x)
- 2D/Smart 3D DNR, Coaxitron, IP67 Weatherproof
- 12VDC, 12VDC/24VAC

VDA100S2-V12IR

• WideluxII Super-Res IR Vandal Dome Camera



- Hi-Res : 700TVL
- 2.8~12mm, True DN(ICR)
- D-WDR, RS-485, DSS(256x)
- 2D/Smart 3D DNR, Coaxitron, IP66 Weatherproof
- 12VDC, 12VDC/24VAC

VA102E-VL60

• Hi-Res WDR Super Night Vision IR Camera



- Hi-Res : 700TVL
- 7.5~50mm CS-Mount Lens/F1.3
- True DN(ICR), IP66,
- Opt : Fan/Heater, IR Distance 120M
- 24VDC/1.9A

VPD120-I

• Hi-Res 12x Mini PTZ Camera



- Hi-Res : 750TVL
- 12x AF Zoom(f3.8mm~45.6mm), Digital 32x
- WDR, 2D/3D DNR
- 12VDC

VN6XEH

• Night Vision Camera



- Hi-Res : 700TVL
- 2.8~12mm, True DN(ICR)
- 30M IR distance
- ATR, 2D DNR, IP67 Weatherproof, RS485
- 12VDC, 12VDC/24VAC

VDA140EH-V12IR

• Magnetic IR Vandal Dome Camera



- Hi-Res : 700TVL
- 3.3~12mm, True DN(ICR)
- 20M IR distance
- ATR, 2D DNR, IP67 Weatherproof, RS485
- 12VDC/24VAC

VN80PN-V12IR

• Hi-Res IR Indoor Dome Camera



- Hi-Res : 700TVL
- 2.8~12mm, True D&N
- D-WDR,2DNR
- IR 20M
- 12VDC

VN101PN

• Compact Night Vision Camera



- Hi-Res : 700TVL
- 3.6mm
- Intelligent IR, Cable concealed
- D-WDR, IP67 Weatherproof
- 12VDC

VN200PN

• Hi-Res Night vision Bullet Camera



NEW

- Hi-Res : 700TVL
- 3.6mm
- Intelligent IR, De-moire
- IR 20M, Dead pixel compensation
- 12VDC

VDA30PN-IR

• Hi-Res Mini IR Vandal Dome camera



NEW

- Hi-Res : 700TVL
- 3.7mm
- IR 10M
- 3-Axis, IP66
- 12VDC



New-SFHD2 Series

- Full HD resolution with 60 frames
- High performance WDR without deteriorating Full frame rate
- Super low light Sensitivity
- 2DNR/3DNR
- Defog function
- Intelligent IR (PWM LED control) and Smart IR

VN6XSFHD2

- HD-SDI Night Vision Camera



- NEW**
- 1080p(50/60p), 720p(50/60p)
 - 3~10.5mm Smart Focus, ICR
 - Enhanced WDR, Smart IR
 - 2D/3D DNR, Defog, IR 20M, Super Low light sensitivity
 - IP67, 12VDC

VN200SFHD2

- HD-SDI Night Vision Camera



- NEW**
- 1080p(50/60p), 720p(50/60p)
 - 4mm(Mega pixel board Lens), ICR
 - Enhanced WDR, Smart IR
 - 2D/3D DNR, Defog, IR 30M, Super Low light sensitivity
 - IP67, 12VDC

VDA100SFHD2-X3SFIR

- HD-SDI IR Vandal Dome Camera



- NEW**
- 1080p(50/60p), 720p(50/60p)
 - 3~10.5mm Smart Focus, ICR
 - Enhanced WDR, Smart IR
 - 2D/3D DNR, Defog, IR 20M, Super Low light sensitivity
 - IP66, 12VDC

VD80SFHD2-V11IR

- HD-SDI IR Indoor Dome Camera



- NEW**
- 1080p(50/60p), 720p(50/60p)
 - 2.8~11mm(Mega pixel VF Lens), ICR
 - Enhanced WDR, Smart IR
 - 2D/3D DNR, Defog, IR 20M, Super Low light sensitivity
 - 12VDC

VA105FHD-VL60

- 3G-SDI Super Night Vision Camera



- 3G-SDI, 1080p (50/60fps), 720p(50/60fps)
- 5~60mm, True DNI(ICR), Smart Focus
- 100M IR distance, Sync IR
- 2D/3D DNR, Defog, RS-485, IP67
- 24VDC

VN7XFHD

- 3G-SDI Super Night Vision Camera



- 3G-SDI, 1080p (50/60fps), 720p(50/60fps)
- 5~60mm, True DNI(ICR), Smart Focus
- 2D/3D DNR, Defog, 30M IR distance
- RS-485, IP67
- 12VDC

VD80SFHD2-B40

- HD-SDI Indoor Dome Camera



- 1080p(50/60p), 720p(50/60p)
- 4mm(3Mega pixel board Lens) , ICR
- Enhanced WDR, D-zoom, Privacy Masking
- 2D/3D DNR, Defog Super Low light sensitivity
- 12VDC

VD80SFHD2-B40IR

- HD-SDI IR Indoor Dome Camera



- 1080p(50/60p), 720p(50/60p)
- 4mm(Mega pixel board Lens) , ICR
- Enhanced WDR, Smart IR
- 2D/3D DNR, Defog, IR 20M, Super Low light sensitivity
- 12VDC

VD80SHFD2-V11

- HD-SDI Indoor Varifocal Dome Camera



- 1080p(50/60p), 720p(50/60p)
- 2.8~11mm(Mega pixel VF Lens) , ICR
- Enhanced WDR, D-zoom, Privacy Masking
- 2D/3D DNR, Defog, Super Low light sensitivity
- 12VDC

VN310SFHD2-V11IR

- HD-SDI Night Vision Camera



- 1080p(50/60p), 720p(50/60p)
- 2.8~11mm(Mega pixel VF Lens) , ICR
- Enhanced WDR, Smart IR
- 2D/3D DNR, Defog, IR 30M, Super Low light sensitivity
- IP67, 12VDC

VC59SFHD2

- HD-SDI Box Camera



- 1080p(50/60p), 720p(50/60p)
- True DNI(ICR), C/CS mount Lens
- Enhanced WDR
- 2D/3D DNR, Defog, Super Low light sensitivity
- 12VDC

VRP102 /VRP102HDMI

- 3G-SDI Repeater/Converter



- 100M Extended distance
- 720p or 1080p
- VRP102 : 1x HD-SDI input, 2xHD-SDI output
- VRP102HDMI : 1x HD-SDI input, 1x HD-SDI output
1x HDMI Output

VHD400/VHD800

- HD-SDI Standalone DVR(4ch,8ch)



- Display : 120/100fps(4ch), 240/200fps(8ch)
- Recording : 120/100fps(FHD)
- Audio : 4 Input
- 1.5U Case
- HDD : 4ch- 2ea, 8ch- 4ea

True Plug & Play IP surveillance system

Full HD
1080

NVR / FULL HD IP Cameras



Simple as conventional CCTV
NO additional power source
NO IP configuration

4/8/16 CH

xNVRP Series(POE Switching HUB Built-in)

Choose from a wide array of featured FHD IP Cameras !

Smart Focus

■ 3MP IP Series

■ 1.3MP IP series



Full HD night-vision
VN7XS3Ti



Super night-vision (Apache)
VA105SM3Ti



Full HD indoor dome
VD102SM3Ti-IR



Full HD vandal-proof IP dome
VDA100SM3Ti-IR



HD Vandal Slim Dome
VDA50SMTi

■ 2MP IP series



Full HD IR Indoor Dome
VD10M2



Full HD IR Outdoor Bullet
VN10M2



Full HD IR Outdoor Bullet
VN200SM2Ti



Full HD IR Indoor Dome
VD102SM2Ti-B40IR



Full HD IR Outdoor Bullet
VN6XS2Ti



Full HD IR box camera
VC59SM2Ti



Full HD PTZ IP camera
VPD200SM2Ti

· Specifications (and design) are subject to change without prior notice.
· R No. 1401-A

VISION

Visionhitech Co., Ltd.
Vision Bldg., 31 Bucheon-ro 36 beongil, Wonmi-gu,
Bucheon-si, Gyeonggi-do, 420-010 Korea
Tel : +82 (0)32 610 7811 Fax : +82 (0)32 668 3113
Email : vht@visionhitech.co.kr
URL : http://www.visionipvideo.com, www.visionhitech.co.kr

Distributed by